

InTouch Panel PC

Compact Series D

The Wonderware® InTouch® Panel PC provides users the freedom and power to use a PC-based Wonderware InTouch platform with applications that previously used closed, proprietary terminals.

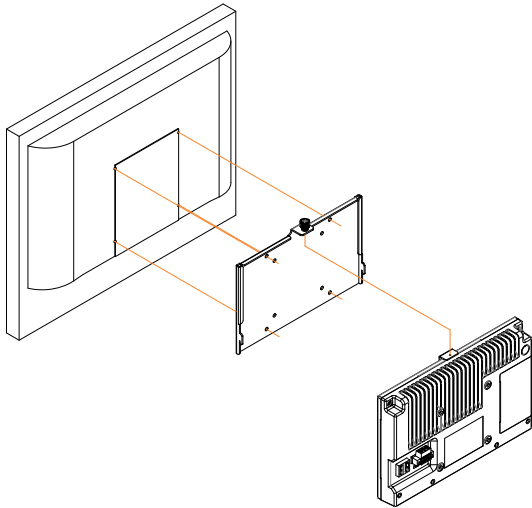
Schneider Electric is the world leader in delivering industrial strength software solutions that simplify the complexity in your operation.

Wonderware Industrial Computers are the perfect complement to hardware or software standardization efforts, whether a manufacturing operation, infrastructure operation, or a Value-Added Reseller (VAR) or Original Equipment Manufacturer (OEM) machine builder. Wonderware Industrial Computers are ruggedized for harsh environments and come pre-installed with the operating system, drivers and Wonderware product software needed for fast and easy implementation.

The versatile InTouch Panel PC: Compact offers more screen sizes, is all solid state and enables standardization on one common powerful visualization interface for machine level applications and supervisory Human Machine Interface (HMI). This allows organizations to break free from proprietary hardware and functionally weak graphic interfaces. Forward thinking standardization helps fully leverage engineering investments, shorten development cycles, bring more value to users and customers, and lower overall costs.



Series D InTouch Panel PC: Compact Features



Break Free from Proprietary Hardware

Break free from functionally weak, proprietary and closed hardware products and experience the power and freedom of an open Windows Embedded Standard -based HMI. Choose InTouch Panel PCs pre-installed with Wonderware InTouch Machine Edition HMI software or Wonderware InTouch. Replace your old, proprietary, stand-alone hardware terminals with powerful, networked, Windows Embedded based InTouch Machine Edition applications that fully integrate from machine level HMI to your supervisory control and plant intelligence applications.

Ready to Go, Complete Bundled Solution to Save You Money

Factory-tested, certified and fully functional out of the box, the InTouch Panel PCs come with the Wonderware Software pre-installed. Wonderware InTouch is the world's favorite HMI software, used in over one-third of the world's industrial facilities. With Wonderware Industrial Computers, you benefit from pre-installed Wonderware software on a selection of rugged, versatile, feature-laden hardware solutions supporting several different operating systems.

The new Compact line offers the highest level of versatility. They are offered with Windows® Embedded Compact (formerly known as Windows CE) and InTouch Machine Edition all the way up to Windows Embedded Standard 7 and InTouch.

Built-in Disaster Recovery

With our new dedicated solid state built-in recovery drives, systems can be restored onto off-the-shelf drives within minutes. No more frantic searching for recovery DVDs — Wonderware's disaster recovery is built in.

Wonderware Installation Wizard

Enables users to select their version of InTouch upon first bootup. It will then automatically install the software without any additional user interaction.

Compact Series: An Excellent Fit Providing an HMI High-Value Solution with No Moving Parts

InTouch Panel PC: Compact systems are a great fit for your low-end HMI solutions as it provides your operators direct interaction to monitor and control dedicated machines and devices. This enables making intelligent decisions in real time. These fourth-generation Panel PCs are completely fan-less and come with solid state hard drives, standard. That means there are no moving parts in the entire product line, enabling you to improve production performance and increase reliability. The Compact Series offers a 4x performance over the previous mid-level Operator Interface Computers (OIC) series by offering a low-end, high-value solution.

Advanced-Exchange Program

Advance-Exchange program to help you keep spare inventory costs down. If a device needs to be replaced, we send out the replacement and let you send us back the original within 30 days.

Ordering Made Simple - Just One Number to Call for Support!

The Wonderware name is synonymous with quality, reliability, support and services. You can trust that Wonderware Industrial Computer solutions will work hard for you for many years to come.

Schneider Electric offers local Wonderware support on a global scale from more than 200 locations around the globe, 1,500 Certified System Integrators and technical support is available 24/7/365. Both hardware and software are supported by our award-winning Wonderware technical support organization.



PRODUCT AT A GLANCE

- No proprietary hardware
- Complete bundled solution. Wonderware InTouch or InTouch Machine Edition comes pre-installed and licensed, enabling you eliminate Software/Hardware incompatibility concerns.
- Built-in Disaster Recovery
- Low-end, high-value solution
- No moving parts throughout entire product range: Solid State Drives and fan-less cooling increases efficiency and improves performance.
- Wide variety of mounting options. Box-only version can mount directly to a VESA-patterned monitor.
- Advanced-Exchange Program
- Ordering made simple
- One source of support

Compact Series D InTouch Panel PC Specifications

InTouch Panel PC

Compact

Software Configuration			
OS	Windows Embedded Compact 7	Windows Embedded Standard 7 32-bit	
Bundled Software	InTouch Machine Edition		InTouch Runtime
System Hardware			
Processor	Intel® Celeron™ N2930 Quad-Core Celeron 1.83 GHz		
Memory	2 GB DDR3		
Expandable	No	No	No
Graphics Processor	Intel HD graphics; DirectX 11.1, OpenCL /GL, 4K videos Quick Sync encoder		
Drives			
Mass Storage	16 GB SATA SSD	32 GB SATA SSD	
Drive Mounting	On board removable		
Disaster-Recovery	N	Dedicated Media	
Interface Ports			
Ethernet	2 x 10/100/1000 Mbps (isolated)		
USB	2 or 3* x USB 2.0, 1 x USB 3.0 (* 7" has 2x USB 2.0 ports, 10.1", 12.1" and 15" have 3x USB 2.0 ports.)		
Serial	1 x RS-232/422/485, 1/2** x RS-232 (** 7" has 1x RS-232 port, 10.1", 12.1" and 15" have 2x RS-232 ports.)		
External Video	1 x HDMI, 1 x VGA*** (***) On headless only.)		
Audio	Line Out		
General Features			
Modular Components	No	No	No
Fanless	Yes	Yes	Yes
Expansion Slots	No	No	No
Rated Input Voltage	12-24 VDC (100-240 VAC external adapter included)		
Environmental			
Protection Class	Front: IP65/NEMA 4; Rear: IP20 / Fanless		
Operating Temperature	0°C to 50°C (32°F to 122°F)		
Operating Humidity	0°C to 50°C (32°F to 122°F)		
Storage Temperature	-25°C to +60°C (-13°F to 140°F)		
Shock	DIN EN 60068-2-27 / Operating: 15G, 11 ms duration		
Vibration	DIN EN 60068-2-64 / Operating: 10-500 Hz: 1G / 3 axis		
MTBF	LED-backlight: 100,000 hours in Eco mode		
Certifications			
Safety Standards			
Europe	CE, based on 2006/95/EC		
U.S.A. / Canada	UL/cUL/CB 61010, UL/cUL/CB 62368		
EMC Standards			
Europe	EN 61000-6-4, EN 61000-6-3, CISPR22, RoHS		
U.S.A. / Canada	FCC47 CFR PART 15; Class A level; IECS-003 Class B		

Compact

Size	Display Material	Touch Type	Aspect Ratio	Resolution	Brightness (nits/500 cd/m ²)	Cutout Dimensions (W x H)	Overall Dimensions (W x H x D)	Weight (kg / lb)	Current/Power
7"	Aluminum	Capacitive (Multi)	16:10	800 x 480	300	192 x 138 mm	202 x 149 x 39 mm	1.2 / 2.6	15 W
10.1"	Aluminum	Capacitive (Multi)	16:10	1280 x 800	330	272 x 176 mm	265 x 189 x 49 mm	2.1 / 4.6	12 W
12.1"	Aluminum	Capacitive (Multi)	4:3	800 x 600	350	303 x 229 mm	319 x 245 x 52 mm	2.5 / 5.5	14 W
15"	Aluminum	Capacitive (Multi)	4:3	1024 x 768	350	392 x 292 mm	401 x 310 x 55 mm	4.4 / 9.7	16 W

Compact Series D InTouch Panel PC Specifications, etc.

Further Information

For more information on how Wonderware software can help you, visit our site: wonderware.com/wic.

You can also visit our blogs at:

- blog.wonderware.com
- oem.wonderware.com
- wonderware.com/wwtimes (weekly HMI/SCADA related news aggregator)

Or contact your local Wonderware distributor.

The Industry's Leading Ecosystem

Our worldwide Partner Ecosystem represents thousands of partners all with the goal of helping you succeed. They can help you with InTouch as well as the full breadth of our Enterprise Control offerings.

Authorized Distributors – Our distributors combine their knowledge of our products with a clear understanding of your needs to assist you in the selection and purchase of the Wonderware products and related technologies.

System Integrator Partners – Our integrator partners can deliver cost effective solutions using our products across all industries, including yours. Today our Wonderware system integrator community includes more than 3,500 engineering firms worldwide.

Industry Solution Partners – Our solution partners work closely with application software providers, OEMs and VARs to offer industry-specific solutions.

Partner Products – These complementary products add value to solutions and expand the value of our solutions to our customers.

Schneider Electric Software

26561 Rancho Pkwy South, Lake Forest, CA 92630 Telephone: +1 (949)-727-3200 Fax: +1 (949)-727-3270 software.schneider-electric.com

© 2015 Schneider Electric Software, LLC. All rights reserved.

PN WW-4241 Rel. 06/15